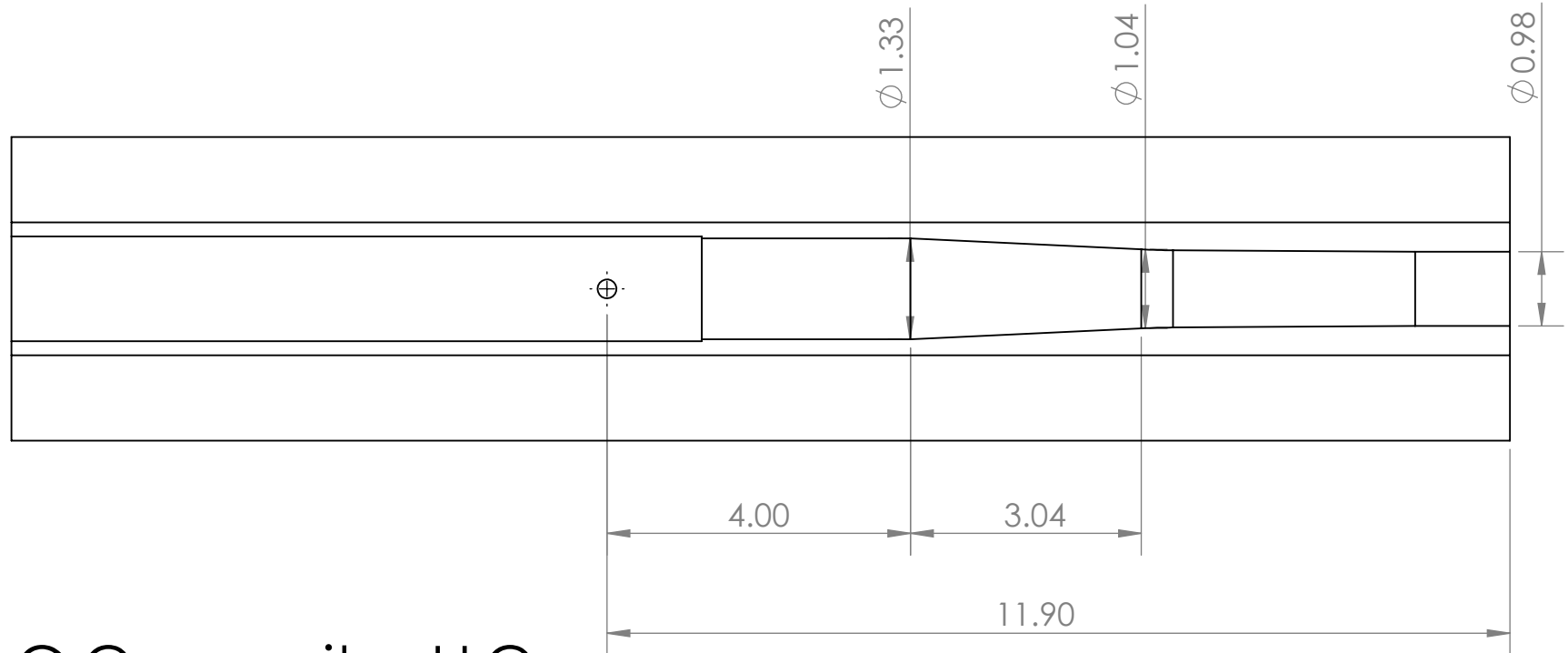


# Remington #5 Bull Sporter Barrel Channel Contour (Sep 2018)



AG Composites LLC  
Sep 2018

**PROPRIETARY AND CONFIDENTIAL**  
THE INFORMATION CONTAINED IN THIS DRAWING IS THE SOLE PROPERTY OF <INSERT COMPANY NAME HERE>. ANY REPRODUCTION IN PART OR AS A WHOLE WITHOUT THE WRITTEN PERMISSION OF <INSERT COMPANY NAME HERE> IS PROHIBITED.

		UNLESS OTHERWISE SPECIFIED:		NAME	DATE			
		DIMENSIONS ARE IN INCHES	DRAWN			TITLE:		
		TOLERANCES:	CHECKED					
		FRACTIONAL $\pm$	ENG APPR.					
		ANGULAR: MACH $\pm$ BEND $\pm$	MFG APPR.					
		TWO PLACE DECIMAL $\pm$	Q.A.					
		THREE PLACE DECIMAL $\pm$	COMMENTS:			SIZE	DWG. NO.	REV
		INTERPRET GEOMETRIC TOLERANCING PER:				<b>A</b>	Remington #5 Bull Sporter Barrel Channel Contour	
		MATERIAL				SCALE: 1:8	WEIGHT:	SHEET 1 OF 1
		FINISH						
	NEXT ASSY	USED ON						
	APPLICATION		DO NOT SCALE DRAWING					